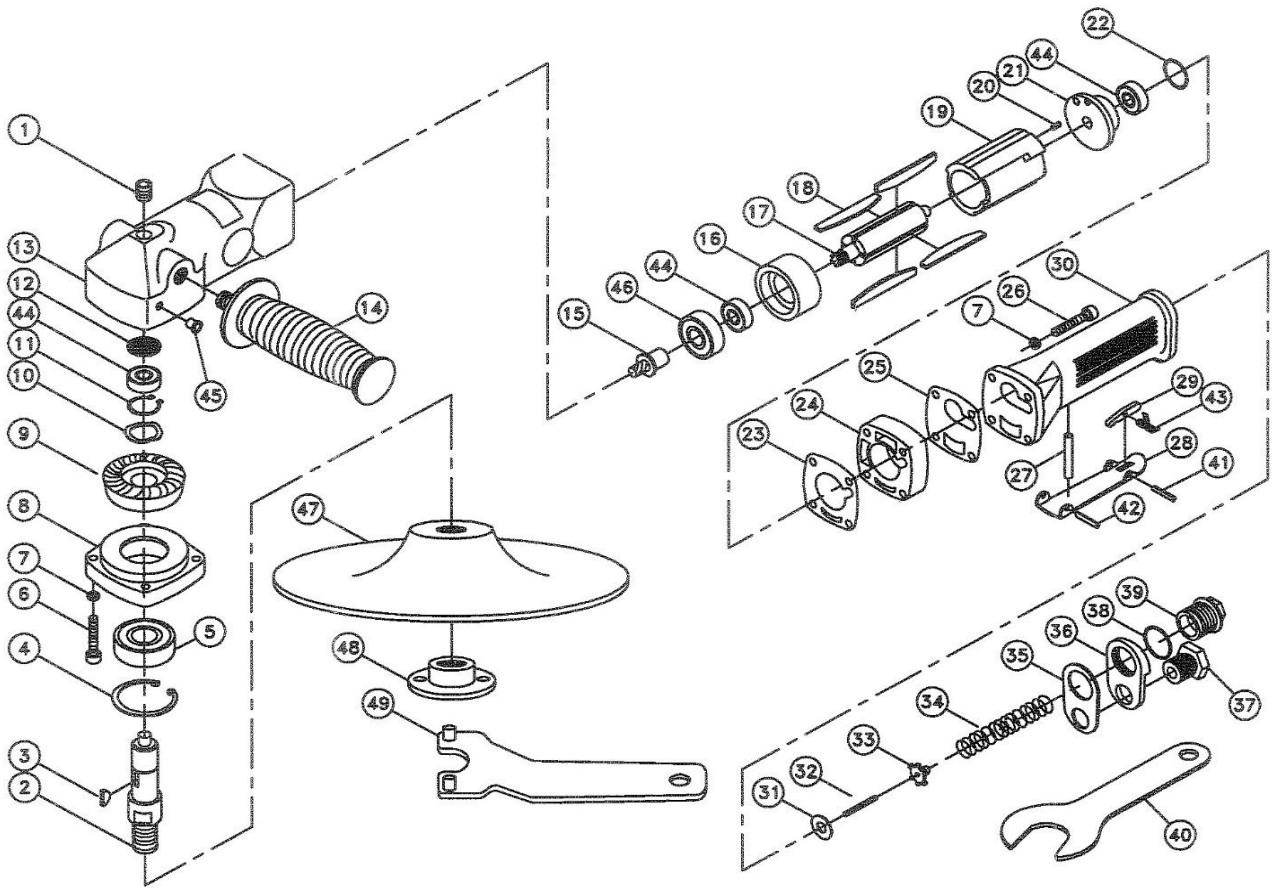


HEAVY DUTY AIR ANGLE SANDER



6806

INDEX NO.	DESCRIPTION	REQ'D NO.	INDEX NO.	DESCRIPTION	REQ'D NO.
01	Plug	1	26	Cap Screw	4
02	Spindle	1	27	Valve Pin	1
03	Key	1	28	Locking Lever	1
04	Retaining Ring	1	29	Stop Rod	1
05	Ball Bearing	1	30	Housing	1
06	Cap Screw	4	31	Valve Seat	1
07	Washer	8	32	Valve Pin	1
08	Spindle Cap	1	33	Valve	1
09	Bevel Gear	1	34	Valve Spring	1
10	Wave Washer	1	35	Exhaust Gasket	1
11	Retaining Ring	1	36	Exhaust Retainer	1
12	Spacer	1	37	Exhaust Bushing	1
13	Motor Housing	1	38	O-Ring	1
14	Handle	1	39	Inlet Bushing	1
15	Pinion Gear	1	40	19mm Spanner Wrench	1
16	Front Plate	1	41	Pin	1
17	Rotor	1	42	Spring Pin	1
18	Rotor Blade	4	43	Spring	1
19	Cylinder	1	44	Ball Bearing	3
20	Roll Pin	1	45	Grease Fitting	1
21	Rear Plate	1	46	Ball Bearing	1
22	O-Ring	1	47	7" Pad	1
23	Motor Gasket	1	48	Nut	1
24	Spacer	1	49	Spanner Wrench	1
25	Valve Body Gasket	1			

0000.00.00

2014.11.18