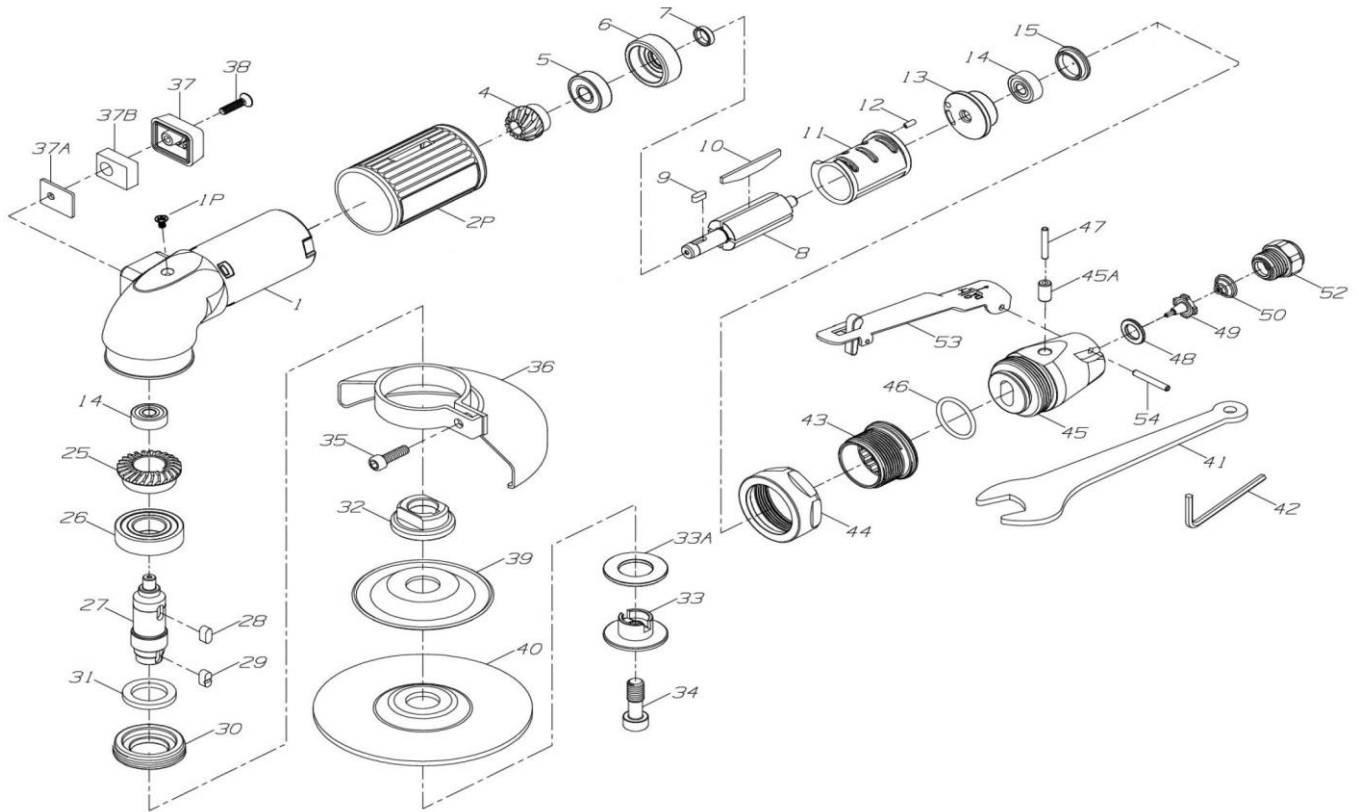


4" HEAVY DUTY AIR ANGLE GRINDER



6811-SL

INDEX NO.	DESCRIPTION	REQ'D NO.	INDEX NO.	DESCRIPTION	REQ'D NO.
01	Housing	1	33A	Washer (For Cutting Wheel) (Option)	1
01P	Screw	1	34	Screw	1
02P	Housing Sleeve (For Safety Lever)	1	35	Screw	1
04	Bevel Pinion	1	36	Wheel Guard	1
05	Ball Bearing	1	37	Exhaust Deflector	1
06	Front End Plate	1	37A	Silencer	1
07	Spacer	1	37B	Muffler	1
08	Rotor	1	38	Screw	1
09	Key	1	39	Back Guard	1
10	Rotor Blade	4	40	Cutting Wheel (#60 Grip) (Option)	1
11	Cylinder	1	41	17mm Spanner Wrench	1
12	Pin	1	42	6mm Hex. Wrench	1
13	Rear End Plate	1	43	Valve Adapter	1
14	Ball Bearing	2	44	Clamp Nut	1
15	Motor Cover	1	45	Valve Body	1
25	Bevel Gear	1	45A	Bushing	1
26	Ball Bearing	1	46	O-Ring	1
27	Spindle	1	47	Pin	1
28	Key	1	48	Spacer	1
29	Key	1	49	Controller	1
30	Spindle Cover	1	50	Spring	1
31	Oil Seal	1	52	Inlet Bushing	1
32	Wheel Adapter	1	53	Safety Lever	1
33	Wheel Lock Down (D16)	1	54	Pin	1
	Wheel Lock Down (D15) (Option)				

0000.00.00

2014.11.11 2021.01.19