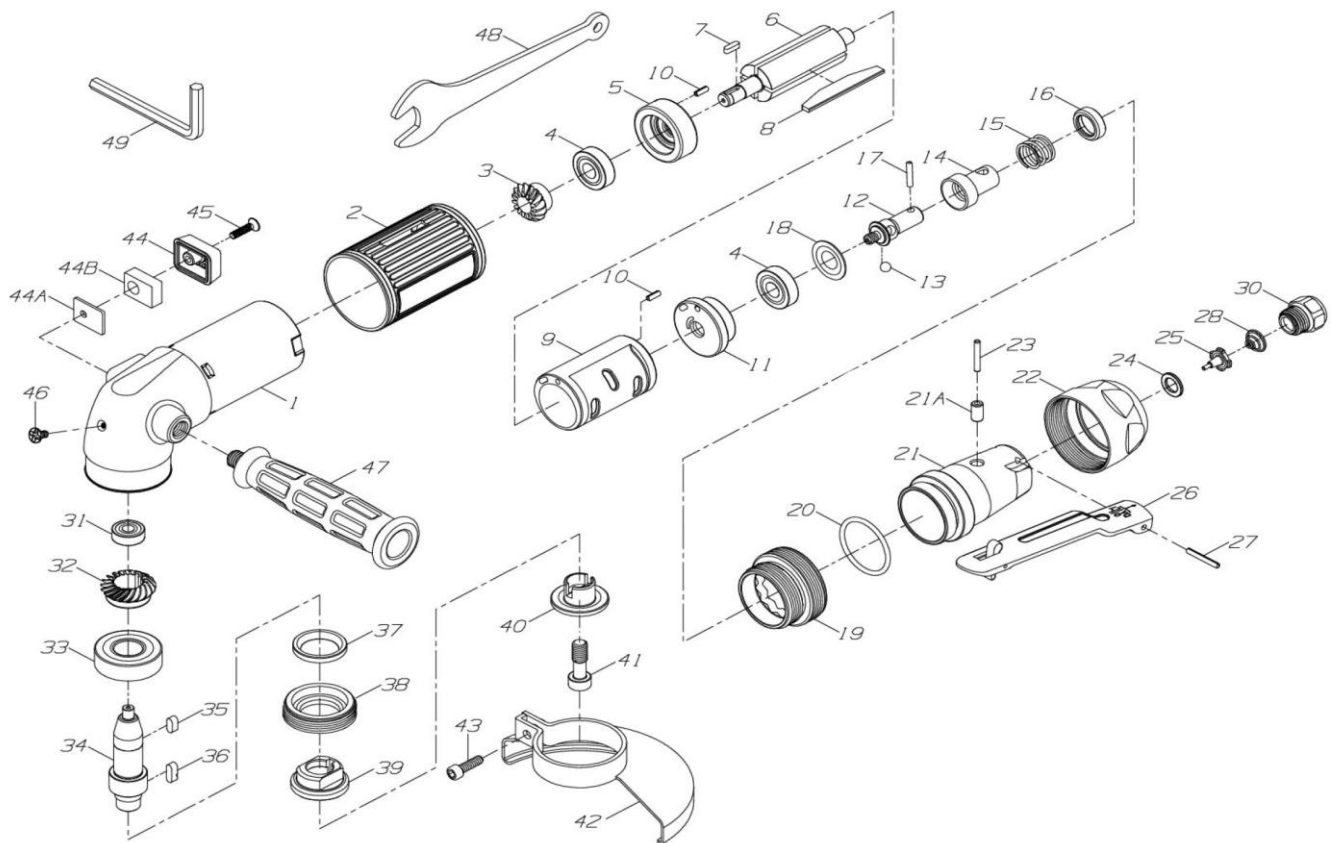


4" HEAVY DUTY AIR ANGLE GRINDER



6812-SL

INDEX NO.	DESCRIPTION	REQ'D NO.	INDEX NO.	DESCRIPTION	REQ'D NO.
01	Housing	1	27	Pin	1
02	Housing Sleeve	1	28	Spring	1
03	Bevel Gear	1	30	Inlet Bushing	1
04	Ball Bearing	2	31	Ball Bearing	1
05	Front End Plate	1	32	Bevel Gear	1
06	Rotor	1	33	Ball Bearing	1
07	Key	1	34	Spindle	1
08	Rotor Blade	4	35	Key	1
09	Cylinder	1	36	Key	1
10	Pin	2	37	Oil Seal	1
11	Rear End Plate	1	38	Spindle Cover	1
12	Adapter	1	39	Wheel Adapter (For 4")	1
13	Steel Ball	3		Wheel Adapter (For 5") (Option)	
14	Shaft	1	40	Wheel Lock Down (For 4")	1
15	Spring	1		Wheel Lock Down (For 5") (Option)	
16	Spacer	1	41	Screw	1
17	Pin	1	42	Wheel Guard (For 4")	1
18	Washer	1		Wheel Guard (For 5") (Option)	
19	Valve Adapter	1	43	Screw	1
20	O-Ring	1	44	Exhaust Deflector	1
21	Valve Body	1	44A	Silencer	1
21A	Bushing	1	44B	Muffler	1
22	Hex. Nut	1	45	Screw	1
23	Pin	1	46	Screw	1
24	Spacer	1	47	Handle	1
25	Controller	1	48	Wrench (17mm)	1
26	Safety Lever	1	49	Hex. Wrench (6mm)	1

0000.00.00

2016.05.30 2021.01.19