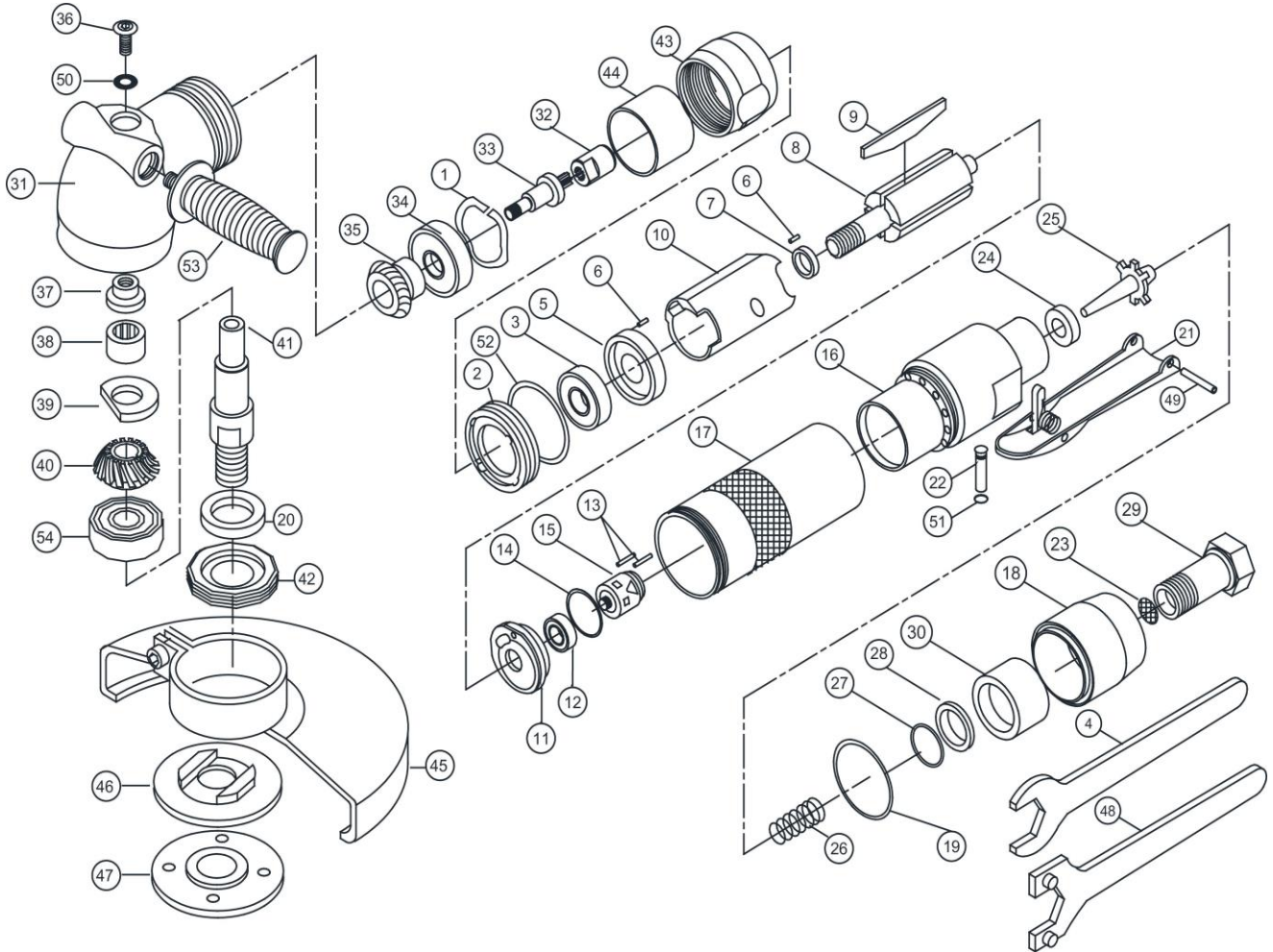


5" SUPER DUTY AIR ANGLE GRINDER W/GOVERNOR



6825

INDEX NO.	DESCRIPTION	REQ'D NO.	INDEX NO.	DESCRIPTION	REQ'D NO.
01	Wave Spring	1	28	Spacer	1
02	Adapter	1	29	Inlet	1
03	Bearing	1	30	Felt	1
04	14mm Spanner (Chuck)	1	31	Angle Housing	1
05	Front Bearing Plate	1	32	Coupling Insert	1
06	Pin	2	33	Adapter	1
07	Spacer	1	34	Bearing	1
08	Rotor	1	35	Pinion	1
09	Blade	4	36	Screw	1
10	Cylinder	1	37	Gear Oil Plate	1
11	Rear Bearing Plate	1	38	Bearing	1
12	Bearing	1	39	Wick	1
13	Pin	2	40	Bevel Gear	1
14	Gasket	1	41	Spindle	1
15	Governor Assembly	1	42	Retainer	1
16	Throttle Housing	1	43	Lock Ring	1
17	Housing	1	44	Spacer	1
18	Rear Silencer	1	45	Wheel Guard Assembly	1
19	O-Ring	1	46	Rear Flange	1
20	Felt	1	47	Front Flange	1
21	Safety Lever Assembly	1	48	Flange Nut Wrench	1
22	Valve Stem	1	49	Pin	1
23	Screens	1	50	O-Ring	1
24	Valve Seat	1	51	O-Ring	1
25	Tip Valve	1	52	O-Ring	1
26	Spring	1	53	Side Handle	1
27	O-Ring	1	54	Bearing	1

0000.00.00

2015.09.17 2015.04.30