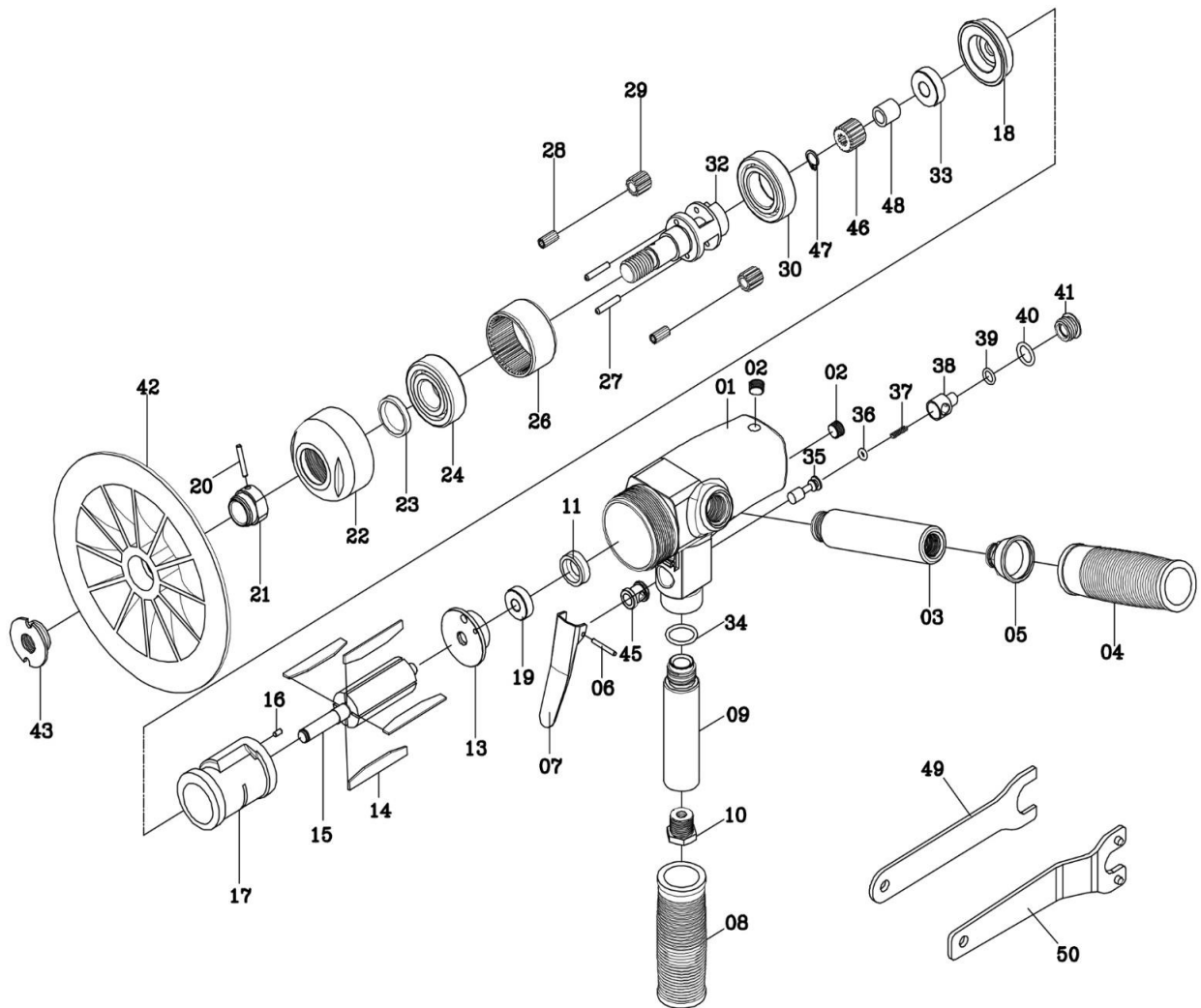


# HEAVY DUTY AIR VERTICAL SANDER

## 氣動角向打磨機



6852

| INDEX NO. | DESCRIPTION           | 中文名稱    | REQ'D NO. | INDEX NO. | DESCRIPTION        | 中文名稱      | REQ'D NO. |
|-----------|-----------------------|---------|-----------|-----------|--------------------|-----------|-----------|
| 01        | Motor Housing         | 手柄      | 1         | 26        | Internal Gear      | 內齒輪       | 1         |
| 02        | Set Screw             | 止付螺絲    | 2         | 27        | Needle Roller      | 滾針        | 2         |
| 03        | Exhaust Handle        | 排氣握把    | 1         | 28        | Needle Roller      | 滾針        | 22        |
| 04        | Handle Grip (Exhaust) | 排氣握把膠套  | 1         | 29        | Planet Gear        | 游星齒輪      | 2         |
| 05        | Exhaust Deflector     | 排氣罩     | 1         | 30        | Ball Bearing       | 滾珠軸承      | 1         |
| 06        | Spring Pin            | 板機固定銷   | 1         | 32        | Planet Cage        | 惰輪座       | 1         |
| 07        | Throttle Lever        | 壓板板機    | 1         | 33        | Ball Bearing       | 滾珠軸承      | 1         |
| 08        | Handle Grip (Inlet)   | 進氣握把膠套  | 1         | 34        | O-Ring             | O型環       | 1         |
| 09        | Inlet Handle          | 進氣握把    | 1         | 35        | Valve Stem         | 進氣頂桿      | 1         |
| 10        | Air Inlet Bushing     | 1/4"進氣口 | 1         | 36        | O-Ring             | O型環       | 1         |
| 11        | Bearing Cap           | 軸承護蓋    | 1         | 37        | Valve Spring       | 彈簧        | 1         |
| 13        | Rear End Plate        | 後端板     | 1         | 38        | Air Regulator      | 調整鈕       | 1         |
| 14        | Rotor Blade           | 葉片      | 4         | 39        | O-Ring             | O型環       | 1         |
| 15        | Rotor                 | 轉子      | 1         | 40        | O-Ring             | O型環       | 1         |
| 16        | Spring Pin            | 固定銷     | 1         | 41        | Valve Screw        | 進氣閥帽      | 1         |
| 17        | Cylinder              | 氣缸      | 1         | 42        | 7" Pad             | 襯墊        | 1         |
| 18        | Front End Plate       | 前端板     | 1         | 43        | Pad Nut            | 螺帽        | 1         |
| 19        | Ball Bearing          | 滾珠軸承    | 1         | 45        | Bushing            | 襯套        | 1         |
| 20        | Spring Pin            | 固定銷     | 1         | 46        | Sun Gear           | 太陽齒輪      | 1         |
| 21        | Collar                | 軸環      | 1         | 47        | External Stop Ring | 扣環        | 1         |
| 22        | Clamp Nut             | 夾緊螺帽    | 1         | 48        | Spacer             | 間隔片       | 1         |
| 23        | Oil Seal (V-Model)    | 油封      | 1         | 49        | Wrench (22mm)      | 板手 (22mm) | 1         |
| 24        | Ball Bearing          | 滾珠軸承    | 1         | 50        | Wrench (31mm)      | 板手 (31mm) | 1         |

0000.00.00

2011.05.30 2015.07.20